



YLI ELECTRONIC



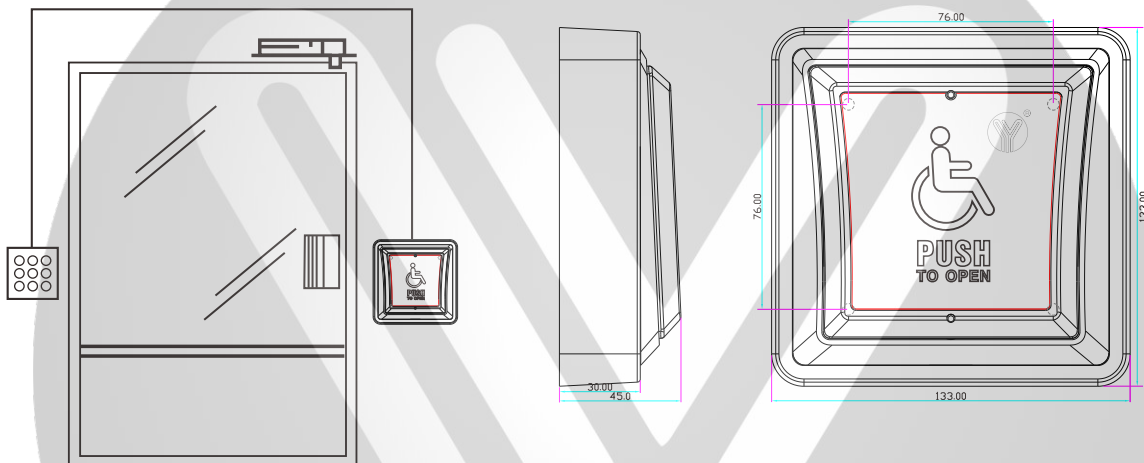
Push Button for The Disable

Model: PBK-871(LED)

Specification

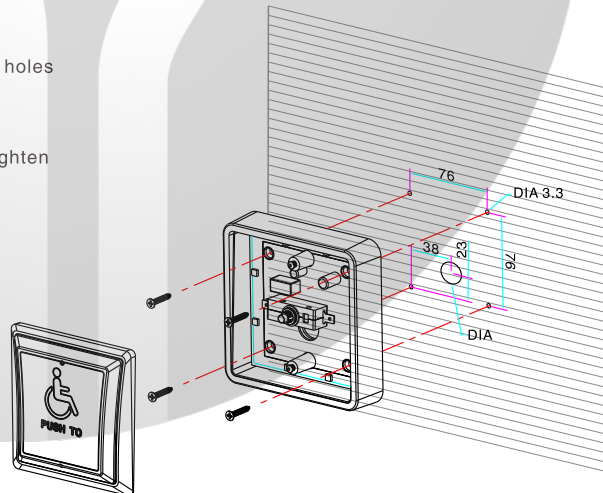
- Size: 133Lx133xW45(mm)
- Input Voltage: 12~24VAC/DC
- Current: $\leq 120\text{mA}$
- Current Rating: 2A@30VDC
- Output Contact: NO/NC/COM
- LED: Mode A or Mode B
 - A: Red when standby, Green when action
 - B: Green when standby, Red when action
- Operating temp: $-20^{\circ}\text{C}\sim+50^{\circ}\text{C}$
- Operating Humidity: 0~95%RH
- Weight: 0.35kg

Size Diagram & Installation



Installation:

1. Use internal hexagonal wrench in toolkit to remove screws through two holes on plate.
2. Remove shell, then place bottom case on installation position.
3. Twist self-tapping screws in toolkit into the four holes on the corners, tighten it onto wall.
4. Place the two screws removed before into the holes on bottom case. (twist them into holes by half)
5. Make screw head cross the bigger part of calabash-shaped hole on shell, then place screws into small holes, making shell fits bottom case.
6. Use internal hexagonal wrench in toolkit to twist screws through two holes on plate, make them tighten to each part.



LED

LED: Mode A or Mode B

A: Red when standby, Green when action

B: Green when standby, Red when action

